

**M12 female 90° shielded with cable**

PVC 12x0.14 shielded bk 30m

Female 90°

M12, 12-pole

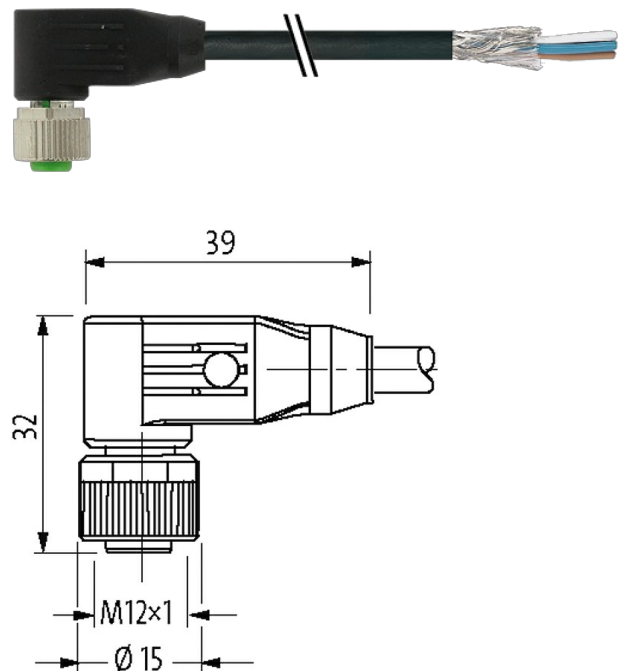
shielded

with cable sleeves

Plastic housings with good resistance against chemicals and oils.

The resistance to aggressive media should be individually tested for your application. Further details on request.

Further cable lengths on request.

**[Link to Product](#)****Illustration**

Product may differ from Image

**Approvals**

cCSAus

\* only for products with UL/CSA approved cable

**Form**

Form 19361

**General data**

Standards DIN EN 61076-2-101 (M12)

Temperature range -25...+85 °C, depending on cable quality

**Cables**No./diameter of wires 12× 0.14 mm<sup>2</sup>

Wire isolation PVC (br, bl, wh, gn, pk, ye, bk, gr, rd, vi, grpk, rdbl)

Outer Ø 6.5 mm ±5%

Temperature range (fixed) -30...+80 °C

Temperature range (mobile) -5...+80 °C

Cable identification	703
Cable Type	1 (PVC)
Approval (cable)	cURus (AWM-Style 2464/173)
Cable weight [g/m]	73,70
Resistor (core)	max. 138 $\Omega$ /km (20 °C)
Material (wire)	Cu wire, bare
Single wire $\varnothing$ (core)	0.1 mm
Construction (core)	18x 0.1 mm (multi-strand wire class 5)
Diameter (core)	12x 0.14 mm <sup>2</sup>
AWG	similar to AWG 26
Material (wire isolation)	PVC
Material property (wire isolation)	CFC-, cadmium-, silicone- and lead-free, matt, low-adhesion, machine easy to process, abrasion-resistant
Shore hardness (wire isolation)	45 $\pm$ 5 D
Wire- $\varnothing$ incl. isolation	1.05 mm $\pm$ 5%
Color/numbering of wires	br, rd, gr, bk, ye, pk, gn, wh, bl, rdbl, grpk, vi
Stranding combination	Twisted wires rdbl, grpk and vi, over it all other wires are twisted
Shield	yes
Material (jacket)	PVC
Material property (jacket)	CFC-, cadmium-, silicone- and lead-free, matt, low-adhesion, machine easy to process, abrasion-resistant
Shore hardness (jacket)	85 $\pm$ 5 A
Outer- $\varnothing$ (jacket)	6.5 mm $\pm$ 5%
Color (jacket)	black
chemical resistance	good resistance to oil, gasoline and chemicals
thermal resistance	flame retardant UL 1581 VW1 / CSA FT1
Nominal voltage	UL 300 V AC
Test voltage	2000 V
Current load capacity	to DIN VDE 0298-4
Temperature range (fixed)	-30...+80 °C
Temperature range (mobile)	-5...+80 °C
Bend radius (fixed)	10x outer $\varnothing$
Bend radius (moving)	10x outer $\varnothing$
Jacket Color	black

**Technical Data**

Operating voltage	max. 30 V AC/DC
Operating current per contact	max. 1.5 A
Locking of ports	Screw thread (M12x1 mm) recommended torque 0.6 Nm, self-securing
Compression gland	M12 (SW13)
Protection	IP65, IP66K, IP67 inserted and tightened (EN 60529)

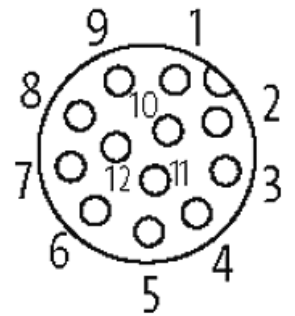
**Commercial data**

country of origin	DE
customs tariff number	85444290
EAN	4048879824668
eClass	27279218
Packaging unit	1

**Sketch**

1	brown
2	blue
3	white
4	green
5	pink
6	yellow
7	black
8	gray
9	red
10	violet
11	gray/pink
12	red/blue
	shield

## Female



Product may differ from Image